



Manual



Fog machine DSK-1000V

Table of contents

1. Safety instructions	3
1.1. Instructions for a safe and efficient operation.....	3
1.2. Further safety instructions	3
2. Description of the product	5
3. Unpacking	5
4. Control	6
4.1. Preparation	6
4.2. Start-up	6
5. Explanation of menu and display	7
5.1.1. Settings	7
5.1.2. Remote	7
6. Housing	8
7. Technical data	9

1. Safety instructions



- This Device is suitable for indoor use only.
- All modifications will void the warranty.
- Repairs have to be carried out by skilled personnel only.
- Only use fuses of the same type and original parts as spare parts.
- Protect the Unit from rain and humidity to avoid fire and electric shocks.
- Make sure to unplug the power supply before opening the housing.

1.1. Instructions for a safe and efficient operation

Be careful with heat and extreme temperature

Only use the device in a place where no extreme temperatures will occur. Do not keep it in a temperature below 32°F /0°C, or exceeding 104°F /40°C. Avoid exposing it to direct rays of the sun or near a heating appliance.

Keep away from humidity, water and dust

Do not place the set in a location with high humidity or lots of dust. Containers with liquid should not be placed on the set.

Avoid placing it on un-stable location

Select a level and stable location to avoid vibration.

Do not use chemicals or volatile liquids for cleaning

Use a clean dry cloth to wipe off the dust. Metall Parts can be cleaned with a wet soft cloth for stubborn dirt.

If out of work, contact sales agency soon

If any troubles occurs, remove the power plug immediately, and contact with an engineer for repairing, do not open the cabinet by yourself, it might result a danger of electric shock.

Take care with the power cable

Never pull the power cable to remove the plug from the receptacle, be sure to hold the plug. When not using the device for an extended period of time, be sure to disconnect the plug from the receptacle.

IMPORTANT:

Damages caused by the disregard of this user manual are not subject to warranty. The dealer will not accept liability for any resulting defects or problems. Make sure the electrical connection is carried out by qualified personnel. All electrical and mechanical connections have to be carried out according to the European safety standards.

1.2. Further safety instructions

- Disconnect the unit from the electric supply before refilling liquid, cleaning or maintaining the unit.
- Keep the unit in upright position at any time.
- Please turn off the power and pull out the plug when the unit is not in use.
- This unit is for adults use only. Keep away from children. Never leave the unit running unattended.
- Never aim the output nozzle directly at people.
- The output smoke is very hot. Please keep at least 50cm away from the nozzle during operation.
- Never aim the output nozzle at open flames.
- If the unit fails to work normally, please stop using it and contact your dealer.
- Please cool down the smoke machine before cleaning or maintaining it.



-
- Never add any flammable liquids (such as oil, gas, perfume) to the smoke liquid.
 - Use only high-quality, water-based liquid recommend by your distributor. Other fog liquids may cause clogging or spouting.
 - Never drink the fog liquids. If it is ingested, connect with a doctor immediately. If the fog liquids come in contact with skins or eyes, rinse thoroughly with water.

2. Description of the product

The DSK 1000V is a unique designed fog machine, installed nine 3W LEDs. Suitable for indoor use by placing on flat surface or being hung on the wall or shelf. It has a strong vertical output which can reach 4 meters off height. It can change the color of smoke freely.

3. Unpacking

Open the shipping packing and check whether all the necessary accessories to operate the unit have arrived complete and intact.

The shipping packing should contain the following items:

- 1 x DSK 1000 machine
- 1 x Power cord
- 1 x Remote incl. receiver
- 1 x Manual

4. Control

4.1. Preparation

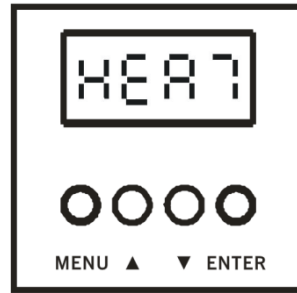
1. If you are sure that all the parts are there and no defects are present, set the machine on a level surface first.
2. Make sure that all foam parts removed especially at the nozzle.
3. Open the lid of the fluid tank and fill the tank with the demanded fluid Please be sure to use only recommended by B&K fluid. Other fluids may produce a non-desired effect or destroy the machine. The warranty does not cover damage due to incorrect fluid!
4. Close the lid and make sure that no fluids leaked into the device. If you are unsure, you can take the tank out well and fill it out of the machine. Liquids in the machine can cause short circuits and are danger to life and limb. Do not overfill the tank!

4.2. Start-up

1. Connect a power supply corresponds to the power cable (included) to the specifications of the machine. Be aware of a sufficient grounding!
2. Turn on the machine with the rear power switch.
3. The button lights red when the machine gets power.
4. The display shows HEAT.
5. It takes about 4 minutes until the machine is heated up. If the machine is finished with the heating, the display shows CH-1.
6. The machine has 4 different modes for which you can make different settings.

5. Explanation of menu and display

5.1.1. Settings



There are 5 buttons: Menu, Up, Down, Enter and the Fog Button.

1. If the machine is ready with heat-up the display shows Ch-1.
2. Press ENTER to make settings for Ch-1 or to activate the mode. You can choose between 9 different colors.

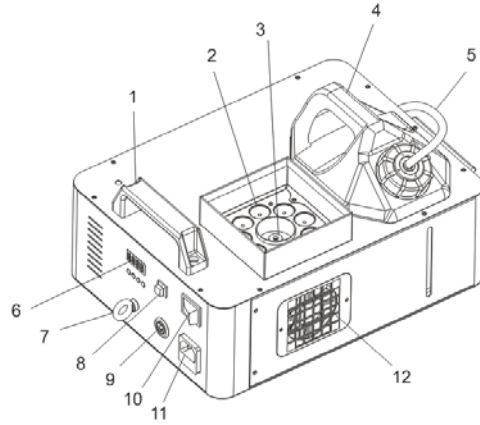
Co 1	Red
Co 2	Green
Co 3	Blue
Co 4	Pink
Co 5	Purple
Co 6	Orange
Co 7	Yellow
Co 8	Sky-blue
Co 9	White

3. Confirm your settings with ENTER.
4. By pressing MENU you get to Ch-2 and Ch-4. You can make for these modes, the same settings.
5. By pressing FOG BUTTON you activate the fog output. The duration is 7s.
6. If you choose the random mode the color of the LEDs changes coincidentally.

5.1.2. Remote

1. To use the remote control, connect the receiver to the appropriate connector.
2. The remote has four buttons. 1 button activates the mode Ch-1, and the fog output, button 2 mode Ch-2, etc.

6. Housing



- | | |
|---------------|-----------------------------|
| 1. Handle | 7. Safety hook |
| 2. LEDs | 8. FOG BUTTON |
| 3. Nozzle | 9. Wireless remote receiver |
| 4. Container | 10. Power switch |
| 5. Fluid tube | 11. Power socket |
| 6. Display | 12. Fan |

7. Technical data

Voltage	AC 220V-240V 50/60Hz
Power consumption max.	750 W
Fog output	Ca. 450m ³ /Minute
Heating time	Ca. 4min
Tank volume	2,5l
Fluid Consumption	4,5min /1L
Controller	Manually or byremote
Weight	7,8kg
Dimensions	470x340x225mm

Importer:

**B & K Braun GmbH
Industriestraße 2
D-76307 Karlsbad**

info@bkbraun.com

