



Manual



**Fazer H-4**

---

## Table of content

1.	Safety instructions .....	3
1.1.	FOR SAFE AND EFFICIENT OPERATION .....	3
1.1.	Additional Information for safety .....	4
2.	Introduction.....	5
2.1.	Product overview .....	5
2.1.1.	Front view .....	5
2.1.2.	Nozzle .....	6
2.1.3.	Fixing clamps.....	6
3.	Control .....	7
3.1.	Preparation .....	7
3.2.	Start-up .....	7
3.3.	Control panel .....	7
3.4.	Menu.....	8
3.4.1.	Interval set .....	8
3.4.2.	Duration set .....	8
3.4.3.	Set the fog output in timer mode .....	8
3.4.4.	Set the fog output in volume mode.....	8
3.4.5.	Fan Speed .....	8
3.4.6.	DMX address set .....	8
3.4.7.	Activate the remote control.....	8
3.4.8.	Set the language of the menu .....	9
3.5.	DMX.....	9
3.5.1.	DMX chart.....	9
3.6.	Wireless remote.....	9
3.6.1.	Register wireless remote .....	9
3.6.2.	Control with the wireless remote .....	10
4.	Silent Mode .....	10
5.	Technical data .....	11

## 1. Safety instructions



- This device is suitable for indoor use only.
- All modifications to the device will void the warranty.
- Repairs are to carry out by skilled personnel only.
- Use only fuses of the same type and original parts as spare parts.
- Protect the unit from rain and humidity to avoid fire and electric shocks.
- Make sure to unplug the power supply before opening the housing.

### 1.1. FOR SAFE AND EFFICIENT OPERATION

#### **Be careful with heat and extreme temperature**

Avoid exposing it to direct rays of the sun or near a heating appliance.

Not put it in a temperature bellow 32°F /0°C, or exceeding 104°F /40°C.

#### **Keep away from humidity, water and dust**

Do not place the set in a location with high humidity or lots of dust.

Containers with water should not be placed on the set.

#### **Keep away from sources of hum and noise**

Such as transformer motor, tuner, TV set and amplifier.

#### **To avoid placing on un-stable location**

Select a level and stable location to avoid vibration.

#### **Do not use chemicals or volatile liquids for cleaning**

Use a clean dry cloth to wipe off the dust, or a wet soft cloth for stubborn dirt.

#### **If out of work, contact sales agency immediately**

Any troubles arose, remove the power plug soon, and contact with an engineer for repairing, do not open the cabinet by yourself, it might result a danger of electric shock.

#### **Take care with the power cable**

Never pull the power cable to remove the plug from the receptacle, be sure to hold the plug.

When not using the device for an extended period of time, be sure to disconnect the plug from the receptacle.

**Important: Damages caused by the disregard of this user manual are not subject to warranty. The dealer will not accept liability for any resulting defects or problems. Make sure the electrical connection is carried out by qualified personnel. All electrical and mechanical connections have to be carried out according to the European safety standards.**

### **1.1. Additional Information for safety**

- Disconnect the unit from the electricity supply before refilling liquid, cleaning or maintaining the unit.
- Please make sure that your smoke machine is disconnected with power before refilling liquid.
- Keep the unit in upright position at any time.
- Please turn off the power and pull out the plug when the unit is not in use.
- This unit is for adults use only. Keep away from children. Never leave the unit running unattended.
- Never aim the output nozzle directly at people.
- The output smoke is very hot. Please keep at least 50cm away from the nozzle during operation.
- If the power cord is damaged, do not operate with the device and contact your dealer.
- The output smoke is very hot. Please keep at least 50cm away from the nozzle during operation.
- Please cool down the smoke machine before cleaning or maintaining it.
- Never add any flammable liquids (such as oil, gas, perfume) to the smoke liquid.
- Use only high-quality, water-based liquid recommend by your distributor. Other fog liquids may cause clogging or spouting.
- Never drink the fog liquids. If it is ingested, connect with a doctor immediately. If the fog liquids come in contact with skins or eyes, rinse thoroughly with water.

## 2. Introduction

Thank you for choosing DJ Power fog machine. Now you own the most advanced high-performance fog machine. We kindly suggest you to read this manual carefully before using the unit. Abiding by all the instructions of using the machine will ensure you long-term stable and satisfactory effects. Please follow these operation, safety and maintenance instructions to ensure the machine's normal work and prolong its usage life.

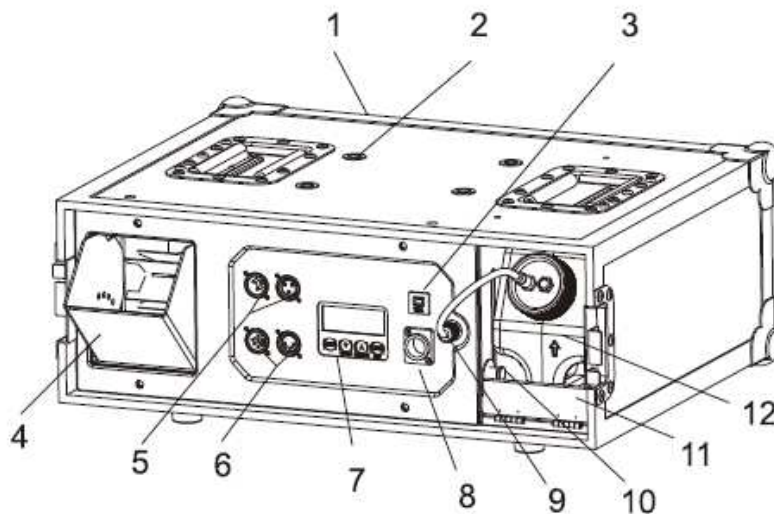
Open the shipping packing and check whether all the necessary accessories to operate the unit have arrived complete and intact.

The shipping packing should contain the following items:

- 1 x Fazer H-4 machine
- 1 x power cord
- 1 x remote control
- 1 x manual

### 2.1. Product overview

#### 2.1.1. Front view

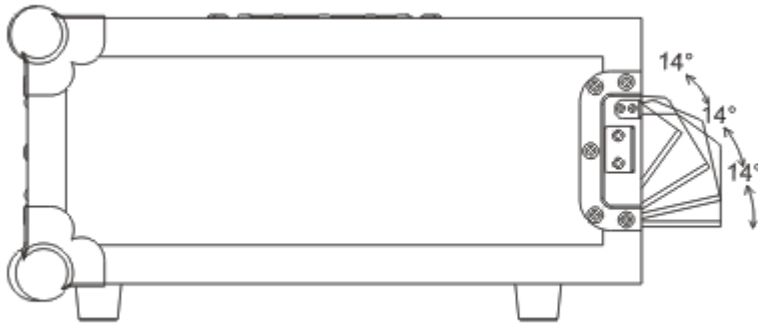


1. Flightcase
2. Quick lock lifting hole
3. Breaker
4. Nozzle
5. DMX Input/Output 3Pin
6. DMX Input/Output 5Pin
7. LCD Display
8. Power socket
9. Fluid inlet

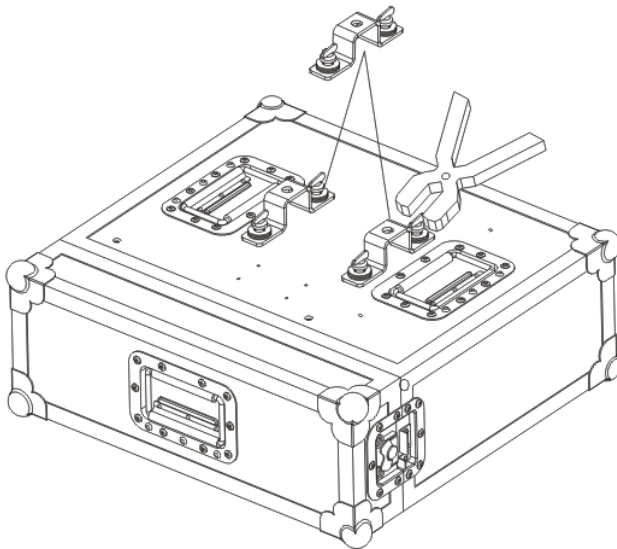
- 10. Door latch
- 11. Safety door
- 12. Fluid-container

### 2.1.2. Nozzle

When the nozzle being fixed well, there are three adjustable angles.



### 2.1.3. Fixing clamps



## 3. Control

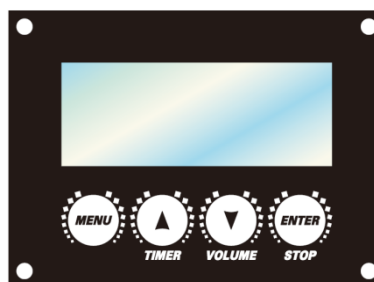
### 3.1. Preparation

1. Open the shipping packing and check whether all the necessary accessories to operate the unit have arrived complete and intact, Place the unit on a flat surface and remove the tank cap.
2. Make sure all the foams and plastic padding are removed, especially in the nozzle areas.
3. Open the lid of the fluid tank and fill the tank with the requested fluid. Please be sure to use only recommended by B&K fluid. Other fluids may produce a non-desired effect or destroy the machine. The warranty does not cover damages due to incorrect fluid not from!
4. Close the lid and make sure that no fluids leak into the device. If you are unsure, you can take the tank out well and fill it out of the machine. Liquids in the machine can cause short circuits and its danger to life and limb. Do not overfill the tank!

### 3.2. Start-up

1. Connect the power cable with a power supply that meets the specifications of the machine (included). Make sure that there is a sufficient grounding!
2. There is no power switch. If the device is connected to the power supply system it starts heating up and is in stand-by.
3. The display shows „Warming up“.
4. It will take 2,5min until the device is heat up. If the heating is finished the display „Ready to Fazer“.

### 3.3. Control panel



- MENU: With the help of this button you get into the menu.
- Up/TIMER: With the help of this button you get increase a value or activate the timer.
- Down/VOLUME: With the help of this button you get decrease a value.
- Enter/STOP: With the help of this button you enter a point of menu or stop a function.

## **3.4. Menu**

### **3.4.1. Interval set**

- Press FUNCTION until you can read „Interval Set“ in the display.
- Use UP/DOWN to set the break of fogging from 5–200s.
- You need this setting if you want to use the function TIMER.

### **3.4.2. Duration set**

- Press FUNCTION until you can read „Duration Set“ in the display.
- Use UP/DOWN to set the time of fogging from 5–200s.
- You need this setting if you want to use the function TIMER.

### **3.4.3. Set the fog output in timer mode**

- Press FUNCTION until you can read „Timer Out“ in the display.
- Use UP/DOWN to set the output volume from 1-100%.
- You need this setting if you want to use the function TIMER.

### **3.4.4. Set the fog output in volume mode**

- Press FUNCTION until you can read „Volume Out“ in the display.
- Use UP/DOWN to set the output volume from 1-100%.
- You need this setting if you want to use the function VOLUME or the remote control.

### **3.4.5. Fan Speed**

- Press FUNCTION until you can read „Fan Speed“ in the display.
- Use UP/DOWN to set the fan speed from 1-100%.

### **3.4.6. DMX address set**

- Press FUNCTION until you can read „ADD xxx“ in the display.
- Use UP/DOWN to set the value from 001 – 512.
- Note that the device needs 2 DMX channels!

### **3.4.7. Activate the remote control**

- Press FUNCTION you can read „Wireless set“ in the display.
- Use UP/DOWN to choose between on and off.



### 3.4.8. Set the language of the menu

- Press FUNCTION until you read „Language (语言)“ in the display.
- Use UP/DOWN to choose between English and Chinese.

## 3.5. DMX

### 3.5.1. DMX chart

Channel	Value from	Value to	Function
1			Fan speed
	0	5	No function
	6	255	Fan speed slow-fast
2			Output volume
	0	5	No function
	6	255	Output volume low-high

## 3.6. Wireless remote

The remote control can control the device in the distance of 50m. Under DMX control, wireless control will not work.



One unit can match with 5 different programming remotes at most. If the user registers the sixth one, then the memory for the first one will be erased.

If the unit has matches with 5 remotes, when powered off, it will remember those remotes. If a user tries to register another one the memory for the 5 remotes will be erased.

### 3.6.1. Register wireless remote

1. Switch the device on.
2. Activate remote control how described in chapter 3.4.7.
3. The display shows „Wireless Setup“.
4. Press any key on the remote for 1s.
5. The display flashes twice. The remote is registered.

### **3.6.2. Control with the wireless remote**

By pressing ON you start the device, by pressing OFF you stop it. If you control the device with the help of the remote control, the device will use the settings you have made under VOLUME OUT.

## **4. Silent Mode**

It is possible to use the device with three silent modes.

1. Press, when the unit is finished heating, MENU for 5s.
2. Choose with MENU one of the three modes. Mode 1 is the most silent.
3. Press VOLUME to activate the silent mode.
4. Press STOP to exit this function.

---

## 5. Technical data

Voltage	AC 220V-240V 50/60Hz
Fuse	8A/250V
Power consumption	1060W
Output volume	Ca. 227m <sup>3</sup> /Minute
Heating time	Ca. 2,5min
Tank volume	3,5l
Weight	22kg
Measurements	590x560x260mm
DMX channels	2

**Importer:**

**B & K Braun GmbH**

**Industriestraße 2**

**D-76307 Karlsbad**

[info@bkbraun.com](mailto:info@bkbraun.com)

