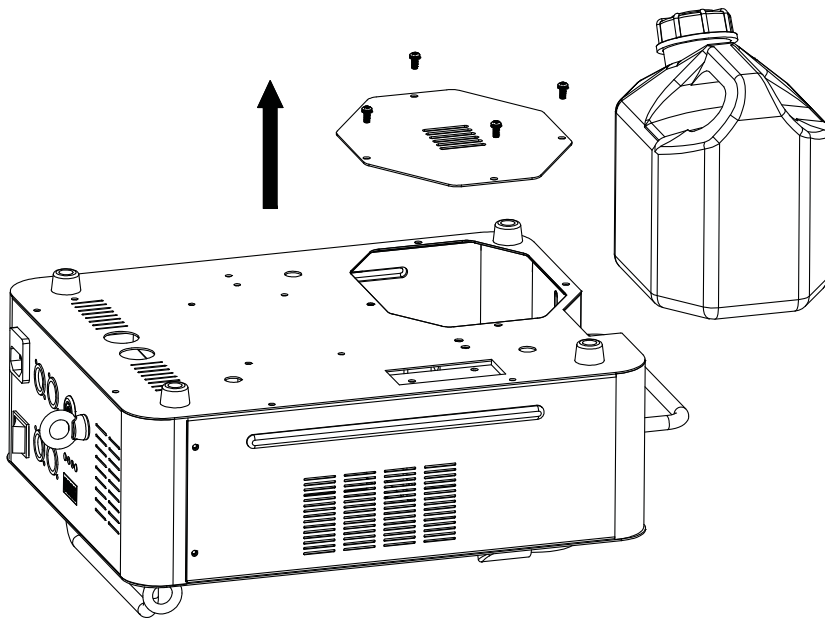
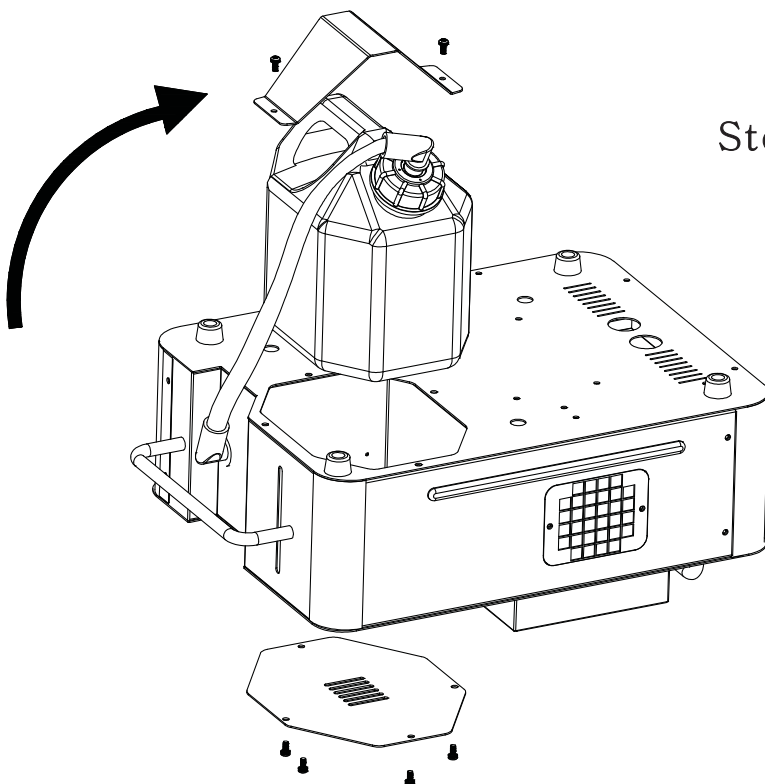


Step 1: Remove the screws and the bottle lock to take out the tank.



Step 2: Turn the machine upside down and remove the screws to release the plate.



Step 3: Fix the removable plate to the opposite side and fit the tank with the bottle lock again.