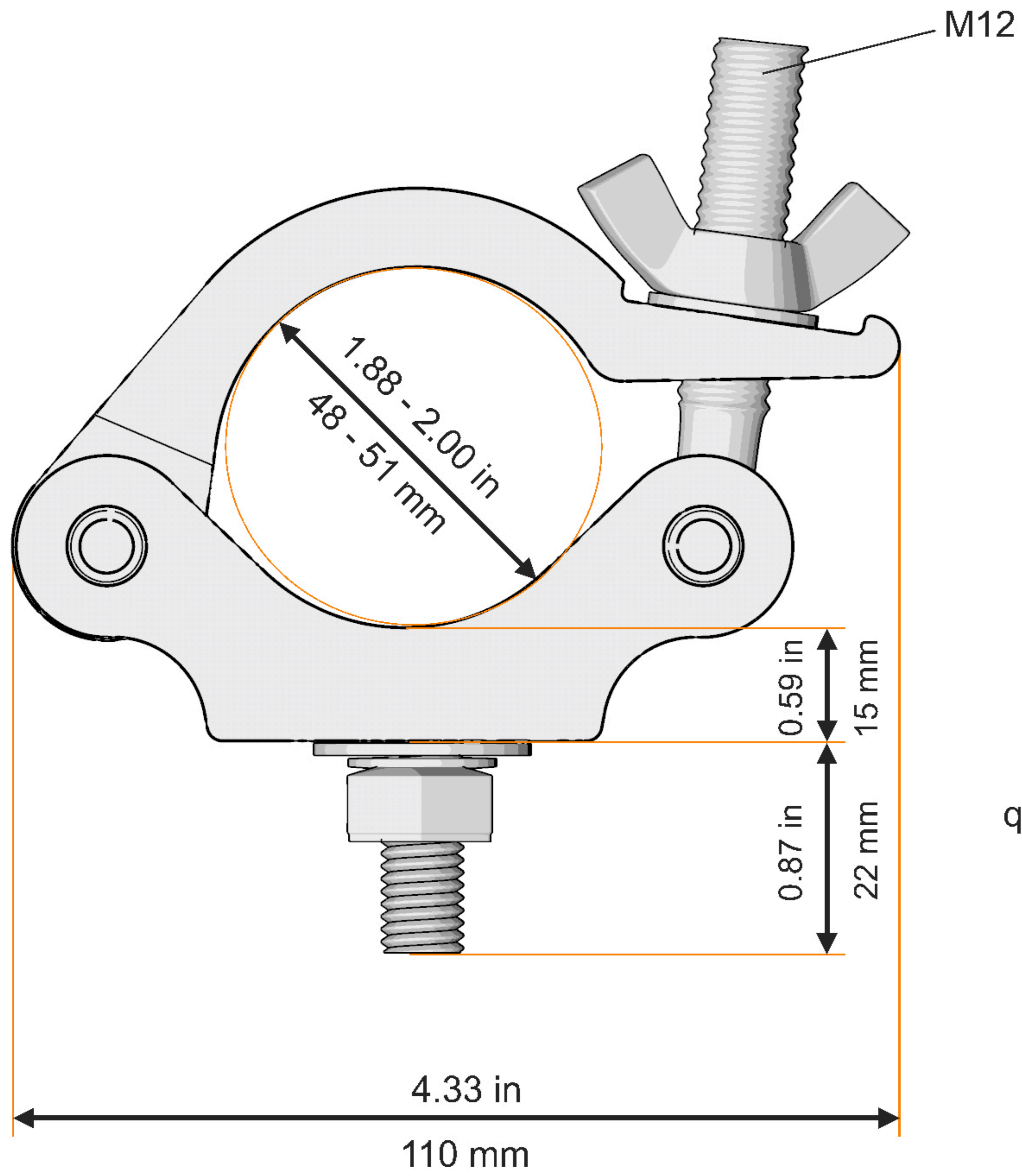


5035-2



M10x30
quality: 8.8

